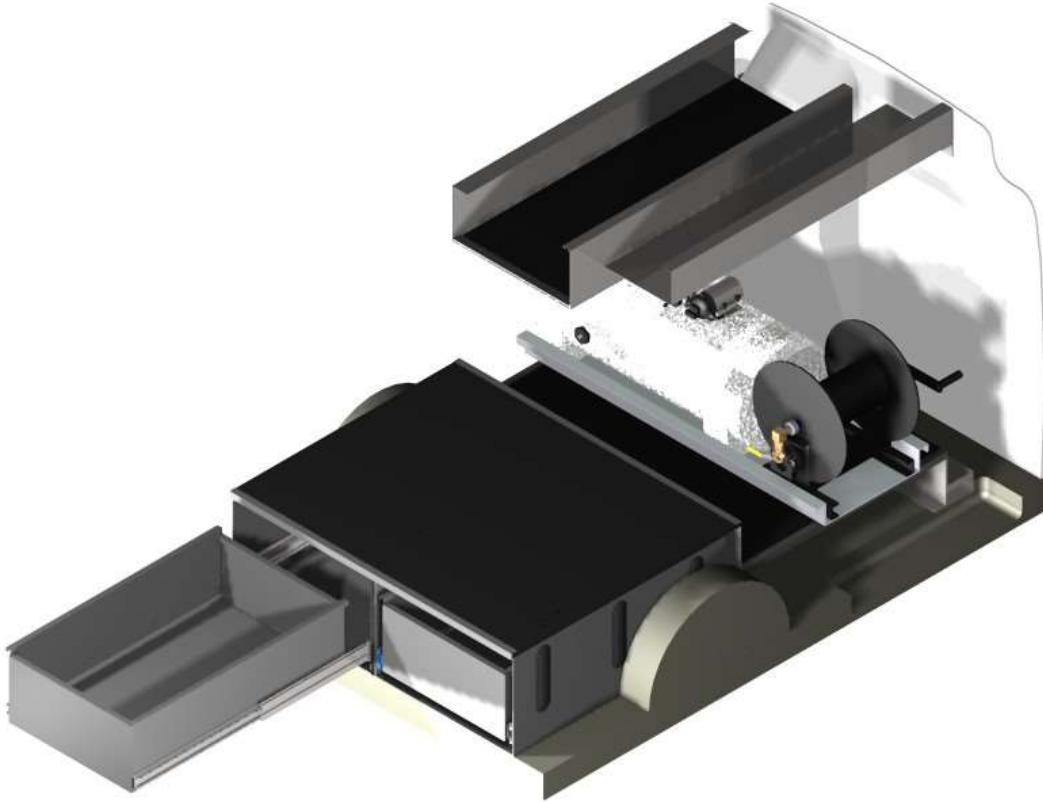


Cumberland 25



- Fits Transit Connect, NV200, Chevy City, Ram Promaster City
- Sealed White Fiberglass Partition
- Two Drawer Base with 8" Raised Front Deck
- Aluminum Ladder and Long Tool Carrier at Ceiling
- 25 Gallon Poly Tank with Molded Graduations and 5" Lid
- Spill Guard Aluminum Pan
- ½" Aluminum Fill Pipe with Hose Whip
- Shurflo 1.8 GPM 12 Volt Demand Switch Pump
- Manual Rewind Hose Reel
- 200 Feet ½" Spray Hose (Yellow)
- Optional Equipment (See Van Accessories)